

A healthcare professional in a white uniform is assisting a patient with an overhead lifting device. The patient is lying on a hospital bed, wearing a light pink top and white pants. The lifting device consists of a blue mesh sling suspended from a black overhead bar. The professional is adjusting the sling around the patient's legs. The background shows a hospital room with a window and medical equipment.

# Overhead lifting

*Ergolet. We lift  
the world.*

ergolet®



// Presenting

# Luna

the pride of

**Scandinavian  
design**







# Luna ceiling lift

& tracking systems



## Used worldwide

Used in hospitals, nursing homes and private homes. Ergolet's overhead lifting solutions are **revolutionising** the way healthcare facilities care for the elderly and physically challenged.



## Full room coverage

Our overhead lifting systems revolve around the lightweight Luna overhead ceiling lift which is **easy to install**, and offers unparalleled room coverage.



## Meeting your needs

The Luna system is used together with Ergolet's innovative overhead tracking solutions to combine **functionality and aesthetics**, making it the ideal choice to meet the growing demands for safe patient handling in the ever evolving health care sector.



**Safety**  
and trust

---

**Quality**  
and innovation

---

Design, flexibility  
& **functionality**

---



## Wide range of ceiling tracks

Ergolet offer a wide range of ceiling track systems, straight and curved tracks, turntables and track changers, that can be easily installed in a variety of configurations to suit the demands of each individual situation.

## Unique wall tracks

Ergolet's unique wall mounted E & C- tracks blend discreetly into the care environment, and are transforming the way overhead tracking is carried out. An elegant alternative to obtrusive conventional wall and ceiling brackets.





# E-track

Wall mounted track







## E-track can be mounted on almost **any type of wall construction.**

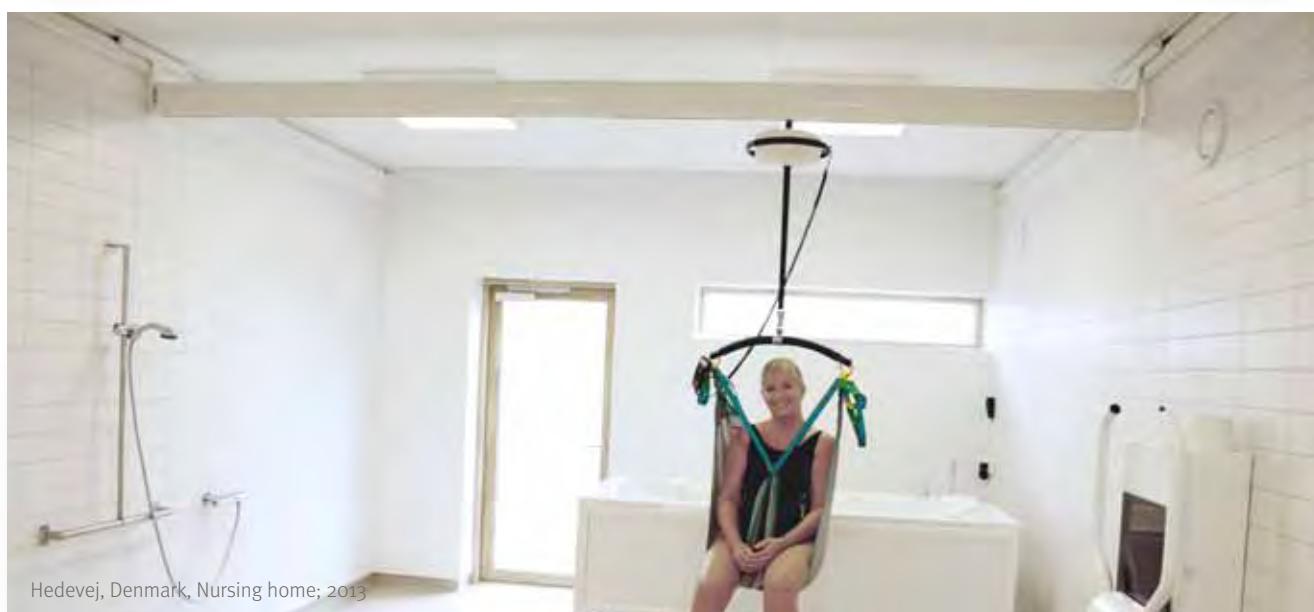
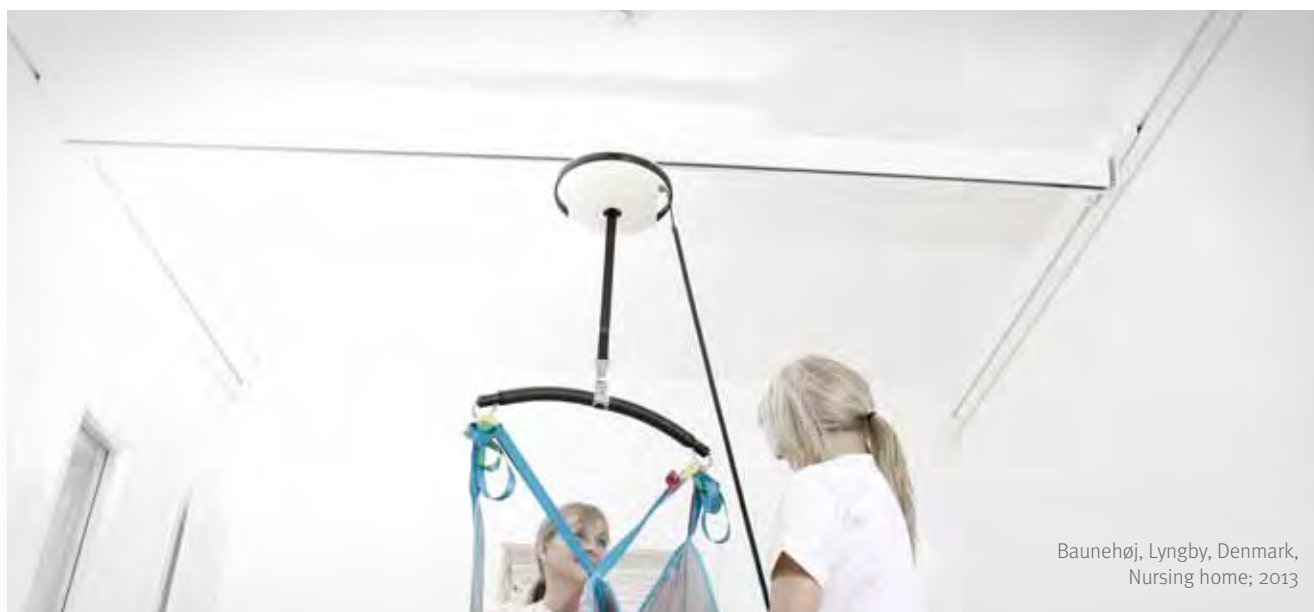
To our ceiling lift series we offer, as the only ones on the market, a wall-mounted aluminum track. With a depth of only 25 mm the tracks are discrete and easily integrated in the room.

Ergolet architect and engineering team can develop a plan, 3D drawings and animations to visualize the options in a particular project.

E-track is an attractive flat wall panel offering a discreet and unobtrusive alternative to the unsightly wall and ceiling brackets that are conventionally used. Moreover, E-track is quick and simple to install, making it an extremely cost effective choice and the preferred professionals' choice for home and institutional settings.

E-Track is also a supremely flexible system. For example, a room can be completed with E-Track and a traverse system, but if the traverse system is not being used, or is required in another room, then the traverse can be quickly and easily dismantled from the E-track profiles and conveniently moved.

## Examples of **XY systems**: E-tracks & traverse



Søholm, Denmark, Nursing home; 2013



Bakkegården, Denmark, Nursing home; 2013



Søholm, Denmark, Nursing home; 2013





# Luna models

*Fixed and portable overhead lift in the same model. A truly unique feature. Changing Luna from fixed to portable mode, and vice versa, can be done within seconds by simply detaching and reattaching the unit to the track. No tools are needed.*



**Fixed mode**

200 or 275 kg  
lifting load

**Room to room**  
with two Luna units



=====  
**Portable mode**  
200 or 275 kg  
lifting load



**Room to room**  
using strap





## **i** Key features

*Class leading state-of-the-art design and functionality. Weight capacity of 200kg and 275kg. Charging through the ergonomic hand control and wall/ table charger.*

---







—  
—  
◀◀ **Spreader bars**  
for differing needs  
—





Patented Ergolet  
**sling hooks**

-simple and safe to use.





NEW

# Luna IPx4

Ceiling hoist / lift with multiple solutions

A great product has been made even better still. The innovative Luna ceiling hoist / lift with its unique Scandinavian design and excellent functionality has been upgraded to include many new and advanced features.

**New features:** The Luna is now IPx4 tested for wet environments allowing safe transfers in bathrooms free of the risk of lift failure if the unit is inadvertently showered with water. The hand controls are both IPx4 & IPx7 tested, tolerating exposure to showering and full immersion in water, respectively. In addition to the standard powered emergency lowering function on the hand control, there is now a second emergency manual lowering function on the Luna itself, easily operated in the unlikely event of a complete lift failure. Finally, there is the new screw lock connector, a secure and reliable mechanism to hook up the hand control to the Luna lift.

A truly unique Luna feature, which differentiates it from the competition, is its ability to be used as either a fixed or portable ceiling hoist in one and the same unit. Simply reverse the Luna unit, select the appropriate spreader bar, and fixed Luna becomes portable Luna and visa versa. This is a cost effective incentive for institutions who need only invest in only one modular model to cover all their lifting requirements. Another distinctive Luna feature is the unique quick release mechanism: a simple twist and turn movement detaches the lift from the track in just a matter of seconds, without tools.

Combine Luna with Ergolet's extensive programme of ceiling and unique wall mounted tracks, and you have a system providing complete lifting and transfer solutions to meet the latest requirements in the health care sector.

Other noteworthy features include: Ergolet's patented spreader bar and sling hook system ensuring safe and simple sling attachment, and the ergonomic hand control with its charging function and optional top or bottom cable exit.

## Key standard functions

IPx4 tested for wet environments

Weight capacity of 200kg / and 275kg.

One lift: fixed or portable options in the same modular design.

Emergency lowering functions on hand control & Luna motor.  
Charging through the ergonomic hand control on wall mounted docking station.

Patented Ergolet sling hooks.

Scan QR and see Luna video, manual lowering instructions, quickguide or user manual





Combine Luna with Ergolet's extensive programme of ceiling and unique wall mounted tracks



New improved screw lock connector on hand control & motor.



IPx7 hand control tolerates immersion in water.



Options for top or bottom cable on IPx4 hand control. It is also possible to select the length of the cable.



Manual emergency lowering functions: powered on hand control and manual on Luna motor.



Sling attachment: a minimum of downward pressure locks the sling hook.

Pull upwards to unlock sling hook.

Version	Item no.
LunalPx4/200 kg, portable (strap) – white / grey	015-03020/015-03021
LunalPx4/275 kg, portable (strap) – white / grey	015-03022/ 015-03023
LunalPx4/200 kg, fixed (bayonet) – white / grey	015-03026 / 015-03027
LunalPx4/275 kg, fixed (bayonet) – white / grey	015-03028 / 015-03039
LunalPx4/200 kg, fixed (bayonet), 2 ports – white / grey	015-03032 / 015-03031
LunalPx4/275 kg, fixed (bayonet), 2 ports – white / grey	015-03034 / 015-03033
LunalPx4/200 kg, room to room – white / grey	015-03035 / 015-03036
LunalPx4/270 kg, room to room – white / grey	015-03037 / 015-03037
Accessories	Item no.
Hand control IPx4 with cable on top*	015-03105
Hand control IPx4 with cable on bottom*	015-03101
Hand control IPx7*	015-03109
2, 3, 4 – points spreader bars	Contact Ergolet
Wide sling range	Contact Ergolet
Weigh scale	Contact Ergolet
Extension strap in various lengths	Contact Ergolet

## TECHNICAL SPECIFICATION

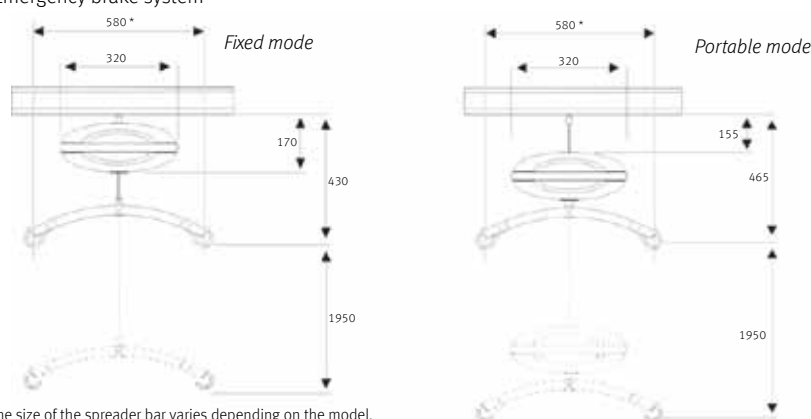
\*List of accessories can be modified.

Max. capacity	200 kg/275 kg
Length of lifting strap	2200 mm
Weight	6,7 kg w/o spreader bar
Measurements	320 x 130 mm
Battery operation	36 V, lead acid batteries
Charging	100- 240 V, 0,5 A
Chassis	Aluminium
Housing	High impact, moulded ABS
Noise	Lwa during lifting/lowering without load is 48dB(A) Lwa during lifting/lowering at maximum load is 52dB(A)
Time of charging	appr. 4,5 - 5 hours to fully charge empty battery
Lifting speed down	44 mm/sec with 89 kg load
Lifting speed up	30 mm/sec with 89 kg load
No. of lifts per charge	50 lifts of 0,5m with 100 kg
Protection class	IPx4

- Soft start and stop motor control
- Electrical and manual emergency lowering
- Electrical emergency stop
- Low battery indicator (visual LED)
- Charging indicators
- Power on indicators
- Overload protection
- Emergency brake system



All protection class tests are carried out by TÜV.



\* The size of the spreader bar varies depending on the model.

Consult the Technical manual for further specifications. All figures and measurements are for guidance only and may differ in actual situations. Ergolet reserves the right to changes without notice.

Product photos may include accessories. Consult your dealer.



date 23.06.2014 - ver.5

Ergolet  
Taarnborgvej 12C  
4220 Korsoer  
Denmark  
tel. +45 70 27 37 20  
e-mail: ergolet@ergolet.dk



[www.ergolet.com](http://www.ergolet.com)

# Luna hand control and charger

IPx7 screw lock connector:  
A secure and reliable  
mechanism to hook  
up the hand control  
to the Luna lift.

- Luna hand control has ergonomic design and exceptional functionality.
- Luna charger can be mounted on every wall. This ensures a permanent and stable charging station.
- Luna charger can also be mounted on other Ergolet products, such as Luna Trolley or Mobile Flex 2- and 4-post systems.

Permanent  
and stable  
charging

Scan QR and  
see Luna video,  
product sheet,  
quickguide or  
user manual





# Hand control models

- The hand control is now available in IPx4 and IPx7 protection class. IPx4 tolerates exposure to showering. IPx7 tolerates full immersion in water.
- The IPx4 hand control has optional top or bottom cable exit. The IPx7 hand control has bottom cable exit.



<b>Model (class):</b>	<b>IPx4</b>
<b>Cable exit:</b>	<b>BOTTOM EXIT</b>
<b>Cable length:</b>	1320mm (item no. 015-03101)
<b>Cable length:</b>	1620mm (item no. 015-03102)
<b>Cable length:</b>	1900mm (item no. 015-03103)
<b>Tolerates:</b>	Exposure to showering

<b>Model (class):</b>	<b>IPx7</b>
<b>Cable exit:</b>	<b>BOTTOM EXIT</b>
<b>Cable length:</b>	1320mm (015-03109)
<b>Tolerates:</b>	Full immersion in water

<b>Model (class):</b>	<b>IPx4, 2 channels</b>
<b>Cable exit:</b>	<b>BOTTOM EXIT</b>
<b>Cable length:</b>	1320mm (item no. 015-03106)
<b>Cable length:</b>	1620mm (item no. 015-03107)
<b>Cable length:</b>	1900mm (item no. 015-03108)
<b>Tolerates:</b>	Exposure to showering

<b>Model (class):</b>	<b>IPx4</b>
<b>Cable exit:</b>	<b>TOP EXIT</b>
<b>Cable length:</b>	1320mm (item no. 015-03105)
<b>Tolerate:</b>	Exposure to showering

<b>Model (class):</b>	<b>IPx4, 2 channels</b>
<b>Cable exit:</b>	<b>TOP EXIT</b>
<b>Cable length:</b>	1320mm (item no. 015-03110)
<b>Cable length:</b>	1620mm (item no. 015-03111)
<b>Cable length:</b>	1900mm (item no. 015-03112)
<b>Tolerates:</b>	Exposure to showering



**2 channels:**  
additional buttons  
for additional  
equipment, such  
as Ergo Trainer or  
electric spreader bar

All protection class tests are carried out by TÜV.



MDD93/42/EEC  
Class I

# Luna Trolley

Portable trolley system for Luna unit

## Primary application

Home care  
Nursing homes



Using the Luna ceiling hoist in a portable mode allows for unparalleled flexibility in patient transfer situations, in both nursing homes and home care environments.

The Luna Trolley is a quick, efficient and practical means of moving the portable Luna ceiling hoist from one room to another. With the Luna Trolley, there is no need for the carer to carry the overhead lift from room to room. The smooth rolling Luna Trolley does the job for you.

The Luna Trolley provides the carer with a complete portable solution: a cradle to securely hold the Luna ceiling hoist in place, a convenient on board charger, a pouch for the Luna strap and hook attachment, and a useful pocket for carrying slings or documents. In short, a practical aid for the perfect Luna landing.

The extension arm in different lengths is handy for setting up and detaching the Luna ceiling lift (accessory).

## Key standard functions

Lightweight easy rolling yet rugged trolley.

On board charging.

Extension arm to detach the Luna unit (accessory).

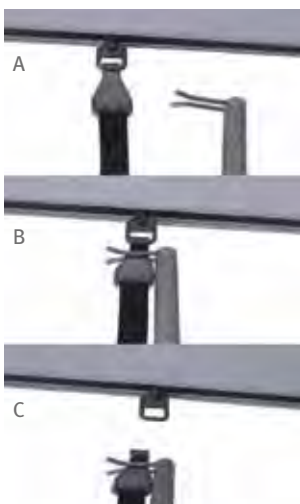
Includes handy pocket for a sling.

Pouch for the Luna strap and hook attachment.





Pouch for the Luna strap and hook attachment.



Easy detaching of the Luna unit with extension arm (A, B, C). Extension arm to remove and mount the Luna unit: 3 lengths (accessory).



Handy pocket for storage purposes.



On board charging unit built in.

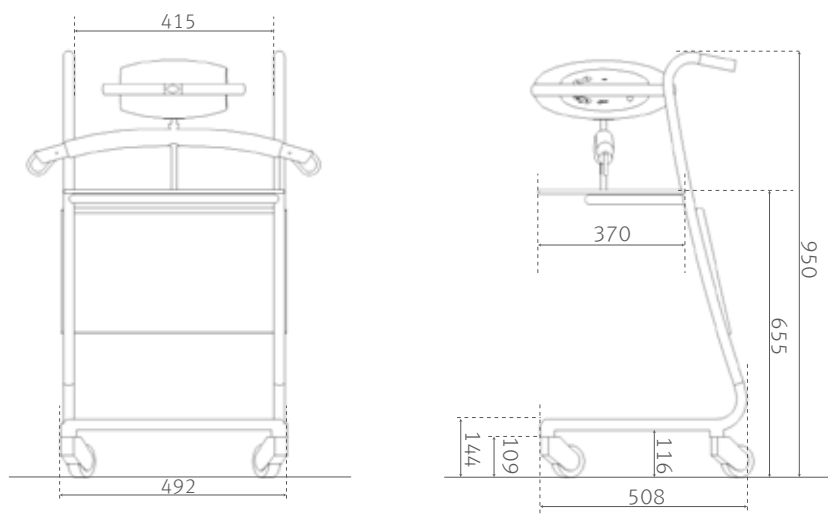
## PRODUCT HIGHLIGHTS

- Portable trolley for moving the Luna ceiling hoist between rooms
- Specially designed cradle holder for the Luna unit
- Extension arm in 3 lengths to mount or remove the Luna unit (accessory)
- On board charger
- Handy pocket for a sling or user guide
- Pouch for the lifting strap and hook

Version	Item-number
Trolley for Luna with 2-point spreader bar	015-02017
Accessory	Numer produktu
Extension arm 600 mm	
Extension arm 1000 mm	
Extension arm 1500 mm	

## TECHNICAL SPECIFICATION

Height	950 mm
Length	370 mm
Width	492 mm
Weight	10,6kg
Material	Powder coated steel
Charging	100-240V, 0,5A



Drawings and technical specification refer to horizontal Luna with 2-point spreader bar.

Consult the Technical manual for further specifications. All figures and measurements are for guidance only and may differ in actual situations. Ergolet reserves the right to changes without notice.

Product photos may include accessories. Consult your dealer.



date 31.03.2014 - ver. 8

Ergolet  
 Taarnborgvej 12C  
 4220 Korsoer  
 Denmark  
 tel. +45 70 27 37 20  
 e-mail: ergolet@ergolet.dk



[www.ergolet.com](http://www.ergolet.com)



# C-track

Overhead tracking: Go to the wall

## Primary application

Home care  
Nursing homes  
Hospital

Ergolet's C-track is the newest member of the Luna tracking family, ready to carry on the proud tradition of innovative Scandinavian design.

This unique wall mounted track solution is in reality a thin, flat panel offering a discreet and unobtrusive alternative to unsightly wall or ceiling brackets that are conventionally used. Apart from being an attractive alternative, C-track is simple and quick to instal making it extremely cost effective, which is why C-track is fast becoming a preferred choice for home and institutional settings.

Flexibility is a key feature of C-track, allowing traverse systems to be transferred simply, easily and quickly from one room to another. Solve the question of deciding which rooms need overhead tracking: C-track is the answer.

C-track uses the same channel to accommodate both the moving carts and the wall fixations and, when not in use, this channel may be concealed using the Ergolet cover plate transforming C-track into a fully covered, discreet wall panel.

Additionally, C-track has a narrow channel on the underside, a practical feature for hanging light book shelves, pictures or other wall decorations without having to drill holes or knock nails into walls.

## Key standard functions

Can be mounted on almost any type of wall construction

## Accessories

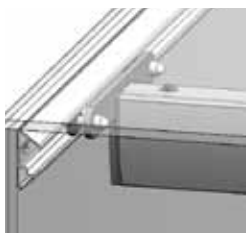
A range of accessories are available for C-track such as brackets for hanging pictures etc.

A range of suitable brackets for different installation purposes are also available.



## PRODUCT HIGHLIGHTS

- Class leading design and functionality.
- Can be mounted on almost any type of wall construction.
- Quick and simple to install. Cost saving.
- Telescopic cart to compensate for varying wall widths.
- Profile can be used to support light room dividers or curtains.
- Clean and simple state-of-the-art-design.



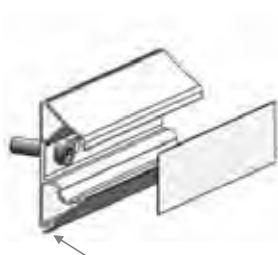
Unique telescopic cart to compensate for varying wall widths.



Quick and easy install, Saves time and reduces costs.



Discreet thin profile.



The profile has an extra track underneath, which can be used to hang pictures, book shelves or other wall decorations thus eliminating unsightly holes in the wall.

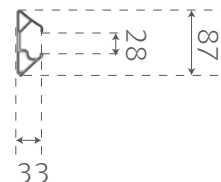
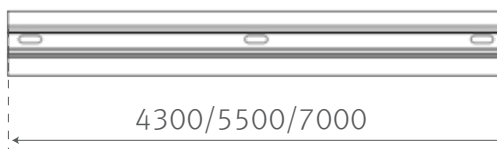


If not in use, C-track easily becomes part of the room decoration when a cover plate is clicked into place.

Version	Item-number
C-track 4,3m	016-00990
C-track 5,5m	016-00991
C-track 7m	016-00992

## TECHNICAL SPECIFICATION

Load on profile	200kg and 275kg
Measurements of profile	33 mm x 87 mm
Weight	1,14 kg/m
Material	Aluminium
Mounting examples	Plasterboard, wood, concrete, brick
Colour	White powder coating



Consult the Technical manual for further specifications. All figures and measurements are for guidance only and may differ in actual situations. Ergolet reserves the right to changes without notice.

Product photos may include accessories. Consult your dealer.



date 06.01.2012 - ver. 5

Ergolet  
 Taarnborgvej 12C  
 4220 Korsoer  
 Denmark  
 tel. +45 70 27 37 20  
 e-mail: ergolet@ergolet.dk

[www.ergolet.com](http://www.ergolet.com)



# E-track

Overhead tracking: Go to the wall

## Primary application

Home care  
Nursing homes  
Hospital

Ergolet's E-Track is a proud example of innovative Danish design. It represents, quite simply, a revolution in overhead tracking techniques.

E-Track's unique difference is that it is a wall mounted track solution. In reality E-Track is an attractive flat wall panel offering a discreet and unobtrusive alternative to the unsightly wall and ceiling brackets that are conventionally used. Moreover, E-track is quick and simple to install, making it an extremely cost effective choice and the preferred professionals' choice for home and institutional settings.

E-Track is also a supremely flexible system. For example, a room can be completed with E-Track and a traverse system, but if the traverse system is not being used, or is required in another room, then the traverse can be quickly and easily dismantled from the E-track profiles and conveniently moved.

An additional feature is E-Track's profile on the underside, a practical feature for hanging light pictures or other wall decorations, removing the need to make holes in the wall.

An aluminum cover plate locks onto the lower fixing channel concealing unsightly electrical cables and screws. And if a room has E-Track installed but is not being used for overhead lifting, then a second cover plate can be clicked into the upper channel transforming E-Track it into a flat, fully closed wall panel.

## Key standard functions

Can be mounted on almost any type of wall construction

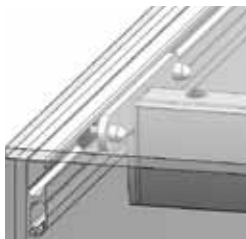
## Accessories

A range of accessories are available for E-track such as brackets for hanging pictures etc.

A range of brackets for different installation purposes.



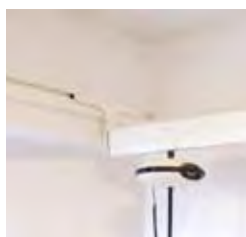




Unique telescopic cart to compensate for varying wall widths.



Quick and easy to install. Saves time and reduces costs.



Discreet thin profile.



The profile has an extra track underneath, which can be used to hang pictures, book shelves or other wall decorations.



E-track becomes part of the room decoration when used with a cover plates.

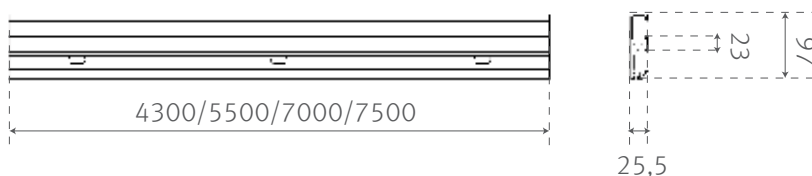
## PRODUCT HIGHLIGHTS

- Class leading design and functionality.
- Can be mounted on most wall constructions.
- Quick and easy to install. Cost saving.
- Telescopic cart to compensate for varying wall widths.
- Profile can be used to support light room dividers or curtains.
- Clean and simple state-of-the-art-design. Flat panel look.

Version	Item-number
E-track 4,3m	016-01028
E-track 5,5m	016-01029
E-track 7m	016-01027
E-track 7,5m	016-01026

## TECHNICAL SPECIFICATION

Load on profile	200kg and 275kg
Measurements of profile	25,5 mm x 97 mm
Weight	2,0 kg/m
Mounting examples	Plasterboard, wood, concrete, brick
Colour	White powder coating



Consult the Technical manual for further specifications. All figures and measurements are for guidance only and may differ in actual situations. Ergolet reserves the right to changes without notice.

Product photos may include accessories. Consult your dealer.



date 06.01.2012 - ver. 4

Ergolet  
 Taarnborgvej 12C  
 4220 Korsoer  
 Denmark  
 tel. +45 70 27 37 20  
 e-mail: ergolet@ergolet.dk

[www.ergolet.com](http://www.ergolet.com)



# Tracking

Overhead tracking: A world of tracks

## Primary application

Home care  
Nursing homes  
Hospital

Ergolet's overhead track systems: a world of flexible, rugged and easy to install tracks. Ergolet provides multiple track solutions to accommodate the varying and challenging needs in today's health care sector.

The low profile 75mm track, small and strong, is designed with low height, optimal span distances and ease of installation in mind.

The 103mm track is a stand-alone track used mainly for traverse tracking but also for systems needing a combination of low height and long spans.

The light weight of the 135mm track belies its strength. This track has the longest span distance of all the Ergolet tracks and may be used as a traverse track together with Ergolet's unique door connecting system.

Ergolet's telescopic tracks can be either combined for flexible room covering systems or used as stand-alone fixed systems where the need is to maximize the span distances.

Regardless of the demands on the system configuration, all the Ergolet tracks can work together to deliver a total solution, ensuring ease of installation, use and cost effectiveness, so put our tracking to the test.

## Key standard functions

Complete range of tracking and accessories  
Can be ceiling or wall mounted  
Discreet, easy to install in many configurations.  
Profiles can be combined to optimise solutions.  
Clean and simple state-of-the-art-design.

## Accessories

A range of accessories and installation brackets are available for the Ergolet tracks including wall/ceiling brackets, track changers, turntables, door connectors etc.





Long traverse spans using fixed telescopic.



Room to room with 135mm track and door connectors.



75mm track used with suspended ceiling.



75mm track with a 90 degree curve.

Version	Item-number
75 mm track 3,2 m	016-01023
75 mm track 4 m	016-01022
75 mm track 5 m	016-01021
75 mm track 7 m	016-01020
103 mm track 3,2 m	016-01013
103 mm track 4 m	016-01012
103 mm track 5 m	016-01011
103 mm track 7 m	016-01010
135 mm track 4,3 m	016-01002
135 mm track 5,5 m	016-01003
135 mm track 7 m	016-01004
90° bowed track	016-01040
60° bowed track	016-01041
45° bowed track	016-01042

## TECHNICAL SPECIFICATION

Measurements of profile

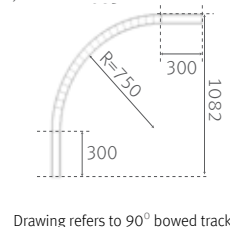
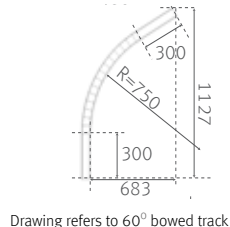
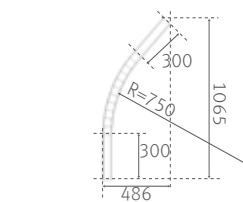
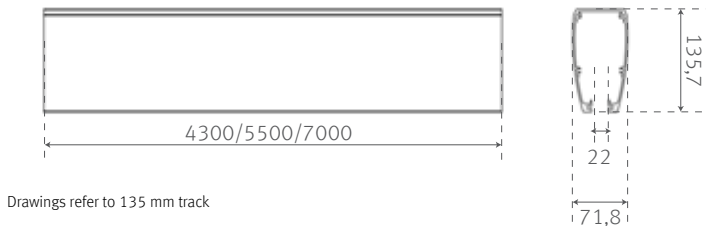
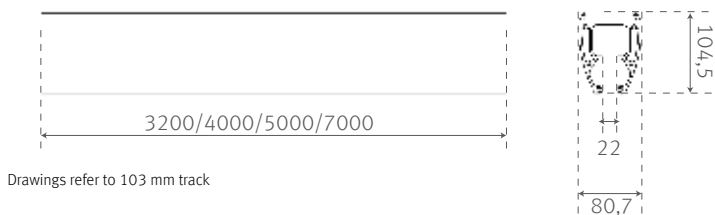
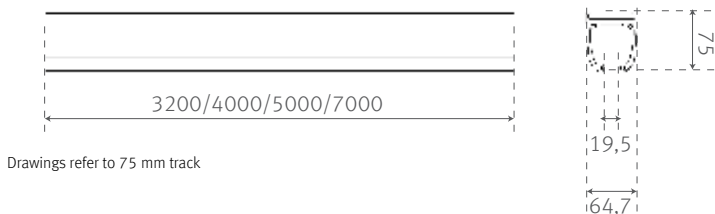
Weight

Mounting

See drawings

Contact Ergolet for spec. sheets

Can be mounted on most materials



Consult the Technical manual for further specifications. All figures and measurements are for guidance only and may differ in actual situations. Ergolet reserves the right to changes without notice.

Product photos may include accessories. Consult your dealer.



date 28.02.2012 - ver. 5

Ergolet  
 Taarnborgvej 12C  
 4220 Korsoer  
 Denmark  
 tel. +45 70 27 37 20  
 e-mail: ergolet@ergolet.dk



[www.ergolet.com](http://www.ergolet.com)



# Door Connectors

Through the door – quick and easy



*Room covering systems with Ergolet's door connector.*

## Primary application

Home care  
Nursing homes  
Hospital

Door connectors are used for patient transfer from room to room. Ergolet's simple and reliable mechanism is used for transferring patients from room to room, e.g. bedroom to bathroom, thereby reducing the number of total lifts required. Fewer lifts creates a better working environment for the carer and safer transfer for the patient.

Ergolet's door connector, as a wall mounted solution, is the preferred choice by architects and building contractors, because of its elegant and compact design. The door connector is suitable for most wall widths. And because it is mounted very close to the wall surface taking up little space in the room, the desired room covering area is exploited optimally.

Ergolet's door connector is only 300 mm wide and does not require costly changes to the building's electrical system, as it operated manually.

Locking and unlocking the door connector is simply done by lightly pulling on the cord. When the door connector is unlocked and the traverse is aligned with the mechanism, the system locks automatically, ready for room to room transfer. To unlock pull on the cord.

## Key standard functions

Compact and discreet  
Only 300 mm wide  
Flexible for fixed and traverse systems  
Manual operation





1. Pull the cord to activate door connector. Slide the traverse towards the door connector.



2. When the traverse is aligned with the door connector, it will automatically lock into position with a click sound ready for room to room transfer.



3. When the ceiling hoist has been moved into the other room, pull on the cord to unlock the mechanism and to move the traverse.



Traverse track 135 mm  
Connector 135 mm  
Traverse track 135 mm



Fixed 135 mm  
Traverse track 135 mm

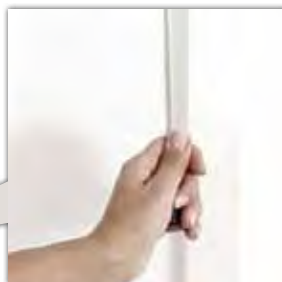


Fixed track 75 mm  
Traverse track 135 mm

## PRODUCT HIGHLIGHTS

- Manual operation – no costly electrical installations required
- Traverse is locked and unlocked by simply pulling the cord
- Compact and discreet
- Several models to suit individual configurations
- Fail safe mechanical features

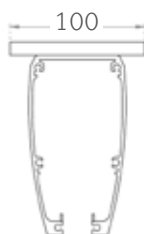
Version	Item-number
Traverse track 135 mm - Connector 135 mm - Traverse track 135 mm	016-01080
Fixed track 135 mm - Traverse track 135 mm	016-01081
Fixed track 75 mm - Traverse track 135 mm	016-01073



Unlocking the door connector happens easily by pulling the cord. Pull the cord again to lock the mechanism.

## TECHNICAL SPECIFICATION

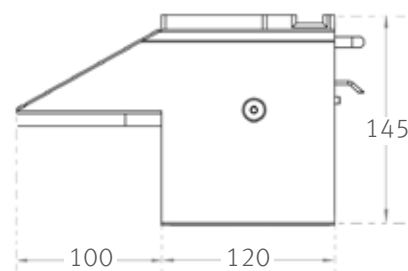
	Connector 135mm	Fixed track 75mm
Length	300 mm	220 mm
Height	145 mm	145 mm
Width	100 mm	100 mm



Drawings refer to connector 135 mm



Drawings refer to fixed track 75 mm



Consult the Technical manual for further specifications. All figures and measurements are for guidance only and may differ in actual situations. Ergolet reserves the right to changes without notice.

Product photos may include accessories. Consult your dealer.



date 02.04.2014 - ver. 4

Ergolet  
Taarnborgvej 12C  
4220 Korsoer  
Denmark  
tel. +45 70 27 37 20  
e-mail: ergolet@ergolet.dk



[www.ergolet.com](http://www.ergolet.com)



# Mobile Flex

## 2-post system

Height & width adjustable 2-post system

### Primary application

Home care  
Institutional  
Hospital

Suitable for people who need an immediate and/or temporary lifting solution that can be easily and simply fitted, used and removed. The Mobile Flex is easy to assemble. No tools are required to adjust the height and width to provide reliable temporary solutions.

Adjusting the height via gas spring is carried out in just a few seconds providing immediate use for the carer and client. The telescopic tracks give enough lifting height to provide solutions that are suitable for most care rooms and most transfer situations.

The Mobile Flex is when combined with Ergolet's innovative Luna ceiling lift, is a simple and functional lifting system and the ideal choice for either home care or institutional use.

The Mobile Flex provides a lifting capacity up to 275kg thus utilizing the full range of the Luna ceiling lift.

### Key standard functions

- Weight capacity of 275kg
- Two models: Mobile Flex 3000 & 4000
- Telescopic width adjustability
- Instant height adjustment assisted by gas spring
- Mounted on wheeled base
- Easy assembly and adjustments
- Utilizes full functionality of the Luna ceiling lift
- Only 1150 mm in depth
- Bayonet cart as standard

### Accessories

Bayonet to strap fitting







Easy to adjust width without using tools



Two sets of wheels with brakes. Simply step on the pedal to activate the brake.



Luna ceiling lift mounted on the Mobile Flex



instant height adjustment (gas spring mechanism). A simple user guide is placed above the handle.

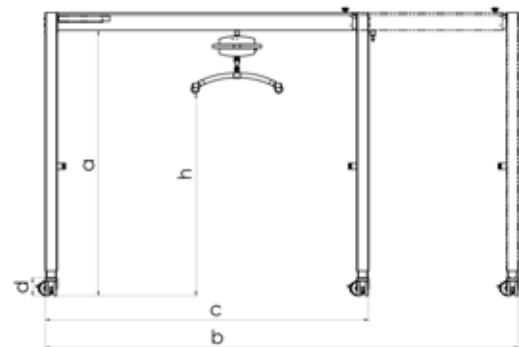
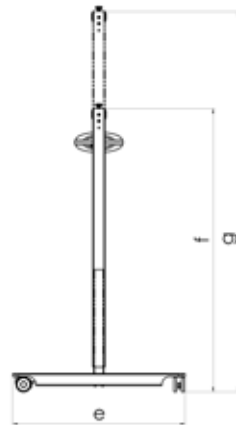
## PRODUCT HIGHLIGHTS

- Practical design and simple functionality
- Full width adjustability to maximise room coverage
- Easy assembly
- Quick height and width adjustment
- Easy to clean

Version	Item-number
Mobile Flex / 3000	016-01147
Mobile Flex / 4000	016-01148
Accessories	
Bayonet to strap fitting	-

## TECHNICAL SPECIFICATION

	Mobile Flex / 3000	Mobile Flex / 4000
Max. load	275 kg	275 kg
a	1773,5 mm	1773,5 mm
b	2160 mm	3160 mm
c	3160 mm	4160 mm
d	122 mm	122 mm
e	1150 mm	1150 mm
f	1891 mm	1891 mm
g	2541 mm	2541 mm
h	1770-2420 mm	1770-2420 mm



Consult the Technical manual for further specifications. All figures and measurements are for guidance only and may differ in actual situations. Ergolet reserves the right to changes without notice.

Product photos may include accessories. Consult your dealer.



date 07.01.2014 - ver. 5

Ergolet  
 Taarnborgvej 12C  
 4220 Korsoer  
 Denmark  
 tel. +45 70 27 37 20  
 e-mail: ergolet@ergolet.dk



[www.ergolet.com](http://www.ergolet.com)

# Mobile Flex

## 4-post system

Full adjustable, room covering, free-standing traverse system

### Primary application

Home care  
Institutional  
Hospital

Room covering and free standing traverse system from Ergolet.

Mobile Flex is a flexible system that is easy to install and can be used right after the installation. Mobile Flex is installed and dismantled without any changes to the room.

Due to its many adjustment options, Mobile Flex meets all lifting and transferring needs.

Combined with the Luna ceiling lift, Mobile Flex is a simple and functional lifting system.

### Key standard functions

Max load of 275 kg  
Applies full capacity of the Luna ceiling lift  
Available in several variants  
Covers up to 4x4 meters  
Fully adjustable 4-pole system  
Bayonet trolley  
Can be used outdoors

### Accessories

Multiswitch



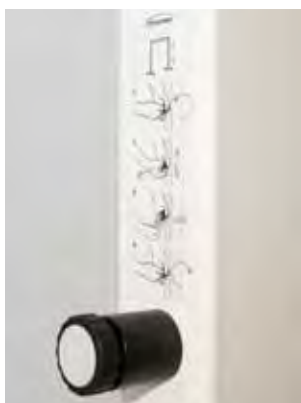


Easy to adjust the width without tools

## PRODUCT HIGHLIGHTS

- Practical design and simple functionality
- Room covering system
- Easy to clean

Version	Item-number
Mobile Flex 4-post system: model 3x3 meter	016-01220
Mobile Flex 4-post system: model 3x4 meter	016-01221
Mobile Flex 4-post system: model 4x3 meter	016-01222
Mobile Flex 4-post system: model 4x4 meter	016-01223



Easy height adjustment (gas spring mechanism). Simple user manual is located above the handle.

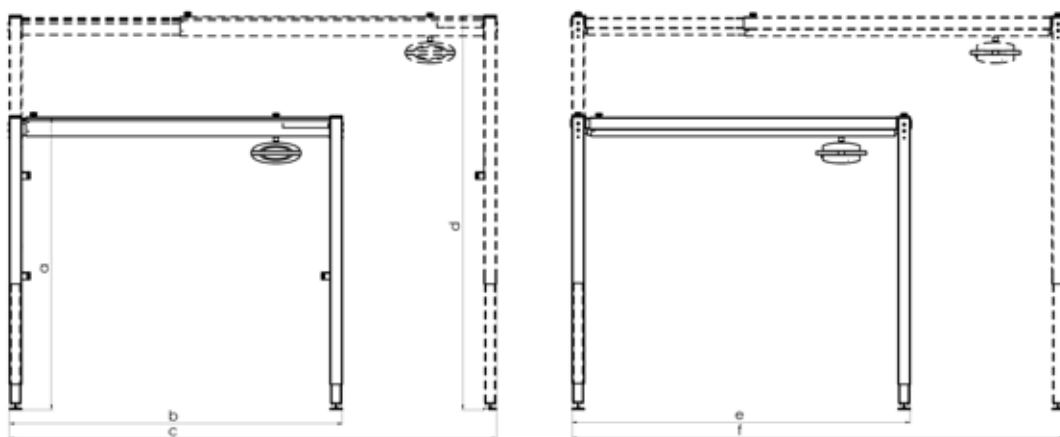
## TECHNICAL SPECIFICATION

Max. load 275 kg

	3x3 (track x traverse)	3x4 (track x traverse)	4x3 (track x traverse)	4x4 (track x traverse)
a	1891 mm	1891 mm	1891 mm	1891 mm
b	2160 mm	2160 mm	3160 mm	3160 mm
c	3160 mm	3160 mm	4160 mm	4160 mm
d	2550 mm	2550 mm	2550 mm	2550 mm
e	2330 mm	3330 mm	2330 mm	3330 mm
f	3330 mm	4330 mm	3330 mm	4330 mm



Luna ceiling hoist mounted on the Mobile Flex



Consult the Technical manual for further specifications. All figures and measurements are for guidance only and may differ in actual situations. Ergolet reserves the right to changes without notice.

Product photos may include accessories. Consult your dealer.



date 14.03.2014 - ver. 5

Ergolet  
 Taarnborgvej 12C  
 4220 Korsoer  
 Denmark  
 tel. +45 70 27 37 20  
 e-mail: ergolet@ergolet.dk



[www.ergolet.com](http://www.ergolet.com)



# Spreader Bars

Spreader bars for all lifting purposes

## Primary application

Home care  
Nursing homes  
Hospital

A complete range of spreader bars in various sizes and models to suit all care needs and transfer situations. All Ergolet's spreader bars are equipped with our patented sling hook system.

The two point spreader bar is best suitable for a standard transfer where the client is of a normal stature. It is available in 3 widths.

Where clients are larger in stature it is more suitable to use Ergolet's unique V shaped 3-point spreader bar, which increases the distance between the shoulder strap section and the leg strap section, opening up the sling for a more comfortable lift. Also clients of normal stature will benefit from the supportive advantages of the 3 point spreader bar.

Transferring bariatric clients will require using our 4-point spreader bar which, when combined with the correct sling model and size, will benefit these large clients providing them with the proper support and comfort.

## Key standard functions

Extensive range for specific and general use  
Patented sling hooks on all spreader bars  
Easily interchangeable to allow for multiple use  
Can be used on both mobile lifters and ceiling hoists





2-point spreader bar for strap on Luna overhead lift.



3-point spreader bar mounted on Sole mobile lift.



4-point spreader bar mounted on Luna.



Spreader bar for bayonet on Luna. Spring loaded locking mechanism. To mount and dismount: Push in. Turn. Release.

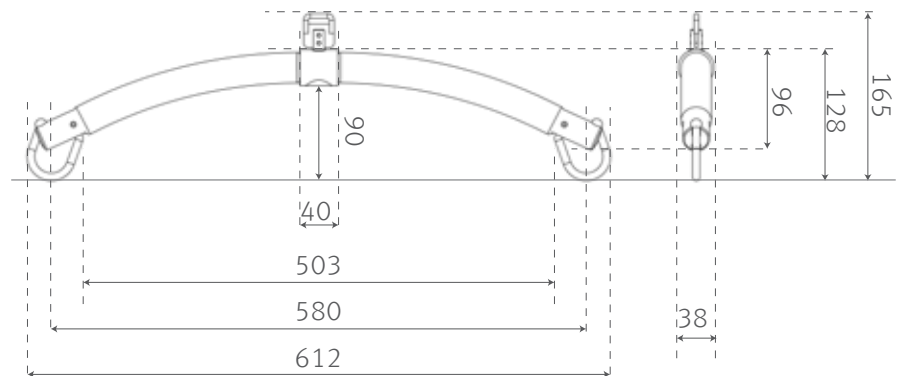
## PRODUCT HIGHLIGHTS

- Can accommodate standard and bariatric lifting situations
- Modular to achieve multi flexibility
- Patented safety system on hooks
- Extensive sling range to accommodate varying client needs

Version	Item-number
2-point spreader bar	please contact Ergolet
3-point spreader bar	please contact Ergolet
4-point spreader bar	please contact Ergolet
Straight spreader bar	please contact Ergolet
Spreader bar for bayonet	please contact Ergolet
Spreader bar for strap	please contact Ergolet
<i>many other types available</i>	please contact Ergolet

## TECHNICAL SPECIFICATION

Width	360/480/580 mm
Height	165 mm
Diameter	ø38 mm



Drawing refers to a Standard 2-point spreader bar 580 mm

Consult the Technical manual for further specifications. All figures and measurements are for guidance only and may differ in actual situations. Ergolet reserves the right to changes without notice.

Product photos may include accessories. Consult your dealer.



date 13.09.2012 - ver. 6

Ergolet  
 Taarnborgvej 12C  
 4220 Korsoer  
 Denmark  
 tel. +45 70 27 37 20  
 e-mail: ergolet@ergolet.dk



[www.ergolet.com](http://www.ergolet.com)

# Weigh Scale

Weigh scale for all purposes

## Primary application

Home care  
Nursing homes  
Hospital

The weigh scale is a M weigh (medically approved weight). The weigh scale is designed to weigh disable patients body weight, when they are placed in a sling.

The weigh scale has a big screen and multiple functions including On/Off/Zero/Tare button and Hold button. Weighing capability is up to 300 kg but the LOWEST weight capacity decides the maximum lifting capacity. The scale has an accuracy of 0,01%.

With the function Hold it is possible to sample 5 to 10 sets of reading and analyze the discrepancy.

The Tare function makes is possible to subtract additional weight like clothing from the total weight.

## Key standard functions

On/Off/Zero/Tare button  
Hold button  
Big display  
Weighing capability up to 300 kg  
Accuracy of 0,01%

The logo for ergolet, featuring the brand name in a bold, lowercase sans-serif font. A blue swoosh underline starts under the 'e' and curves around the 't'. A registered trademark symbol (®) is located at the top right of the swoosh.



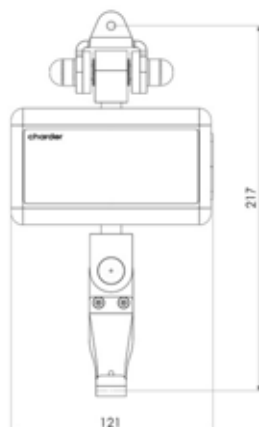


On/Off/Zero/Tare and Hold buttons

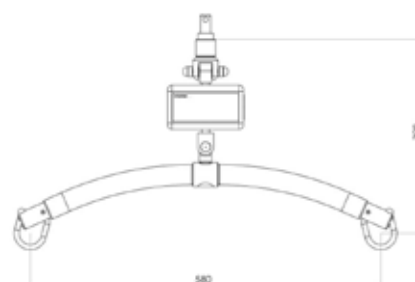
Version	Lift	Mounting method	Item no.
Weigh scale without spreader bar	Luna	Strap	017-00133
Weigh scale with 2 point spreader bar	Luna	Bayonet	017-00117
Weigh scale with 3 point spreader bar	Solar	Bolt	017-00135
Weigh scale with 2 point spreader bar	Solar	Bolt	017-00121

## TECHNICAL SPECIFICATION

Weigh scale for Luna with strap

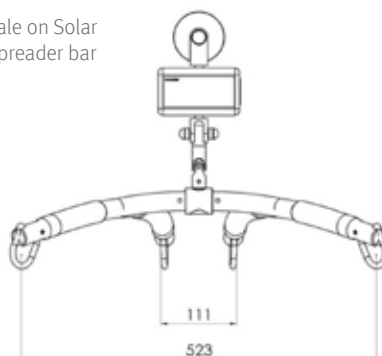


Weigh scale for Luna with bayonet

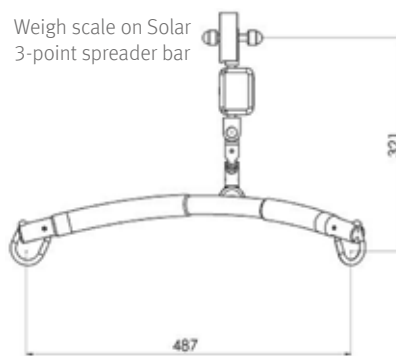


Big display

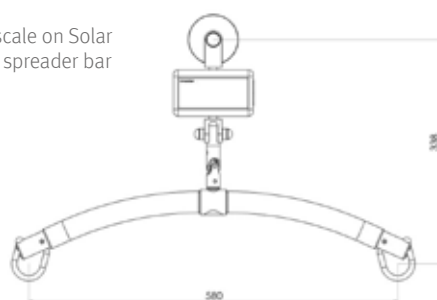
Weigh scale on Solar 3-point spreader bar



Weigh scale on Solar 3-point spreader bar



Weigh scale on Solar 2-point spreader bar



Easy to use and read

Consult the Technical manual for further specifications. All figures and measurements are for guidance only and may differ in actual situations. Ergolet reserves the right to changes without notice.

Product photos may include accessories. Consult your dealer.



date 26.02.2014 - ver. 7

Ergolet  
 Taarnborgvej 12C  
 4220 Korsoer  
 Denmark  
 tel. +45 70 27 37 20  
 e-mail: ergolet@ergolet.dk



[www.ergolet.com](http://www.ergolet.com)

# Weigh Scale

Weigh Scale with double spreader bar

## Primary application

Home care  
Nursing homes  
Hospital

The weigh scale is an M weight (medically approved weight). The weigh scale is designed to weigh disabled patients' body weight when they are placed in a sling.

It is a highly flexible portable solution, which can be fitted to practically any manufacturer's lift equipped with a standard two-point spreader bar. In addition, the easy-to-use mounting strap and bracket is width adjustable to accommodate for different sizes of spreader bar.

The weigh scale has a big screen and multiple functions including On/Off/Zero/Tare button and Hold button. Weighing capability is up to 300 kg but the LOWEST weight capacity decides the maximum lifting capacity. The scale has an accuracy of 0,01%.

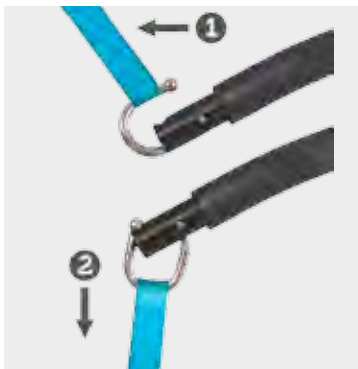
With the function Hold it is possible to sample 5 to 10 sets of reading and analyze the discrepancy.

The Tare function makes it possible to subtract additional weight like clothing from the total weight.

## Key standard functions

On/Off/Zero/Tare button  
Hold button  
Big display  
Weighing capability up to 300 kg  
Accuracy of 0,01%





Sling attachment: a minimum of downward pressure locks the sling hook; pull upwards to unlock sling hook.



System mounted on the Luna ceiling hoist.



On/Off/Zero/Tare and Hold buttons

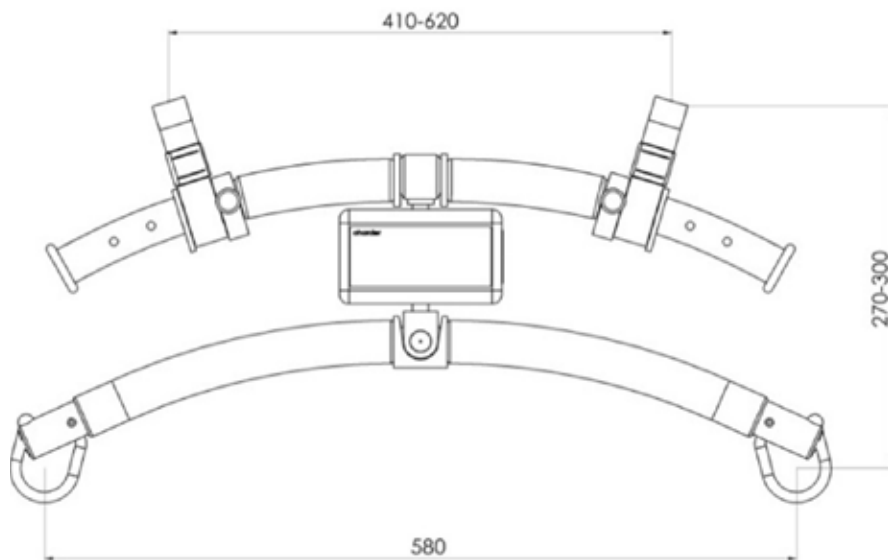


Easy to use and read. Big display.

Version	Item-number
Weigh scale with double spreader bar	017-00113

### TECHNICAL SPECIFICATION

Height	300 mm
Length	580 mm
Width	51 mm
Weighing unit	MDD class 1
Weighing tolerance	0,01 %
Weigh capacity	300 kg



Consult the Technical manual for further specifications. All figures and measurements are for guidance only and may differ in actual situations. Ergolet reserves the right to changes without notice.

Product photos may include accessories. Consult your dealer.

**CE** MDD93/42/EEC  
Class I

date 26.02.2014 - ver. 5

Ergolet  
Taarnborgvej 12C  
4220 Korsoer  
Denmark  
tel. +45 70 27 37 20  
e-mail: ergolet@ergolet.dk

[www.ergolet.com](http://www.ergolet.com)



# Ergo Trainer

- intensifies rehabilitation

*Shows significant improvements.*

**By means of the body-weight-supported training (BWST) the patient is partially relieved of his bodyweight, enabling him to begin the rehabilitation process at an early stage without the risk of physical strain. Increased mobility and a feeling of safety and security is a motivating factor for the patient making the rehabilitation process more effective.**



## Body-weight-supported rehabilitation

The linear body relief system ensures the patient an equal body-weight support throughout the entire training programme. Approved for patients weighing up to 200 kg (440 lbs) the Ergo Trainer can relieve up to 85kg (187 lbs) of the patient's body weight, thus fulfilling most user requirements. Statistics from Center for Rehabilitation of Brain Injury, Denmark, show that body-weight-supported training reduces and sometimes eliminates the user's need for walking aids.



## User friendly

Mounting the Ergolet harness sling is quick and easy, and within a few minutes the patient is ready to start the training programme. Only a short introduction is required in order to use the Ergo Trainer. The adjustable weight relief system is controlled by means of the user- friendly hand control.



## Safety

An automatic pneumatic brake prevents the risk of serious fall injuries among patients. Furthermore, the safety system reduces work related injuries to therapists or care workers that can occur when trying to prevent a patient from falling. With the patient's safety no longer a concern, therapists can introduce a more effective and challenging training programme, which also promotes patient confidence at the same time.



## Repetition of movement

When used in conjunction with a treadmill it is possible for patients with impaired walking ability to train the correct physiological gait. Documented results show that a progressive training regime of repetition of movement combined with controlled speed and elevation adjustment of the treadmill, are key factors to successful and lasting patient rehabilitation.



## Mobility

Using the Ergo Trainer, the patient's arms are able to move freely so users capable of moving their arms are able to train a natural gait pattern.



Mounting of  
Ergo Trainer takes  
3-5 hours.





## Ergo Trainer- safe and effective rehabilitation system.

“Without the body weight support system it is difficult to rehabilitate patients with impaired walking abilities because the fear of falling prevents an effective and continuous rehabilitation process”.

-Jørgen Jørgensen, Center of Rehabilitation of Brain Injury, Copenhagen



# GLOBAL PARTNERSHIPS

We are a global company that also thinks and acts locally. Our sales and administrative headquarters are located in Denmark and our main production facility is in Poland. We have sales, service and distribution centres in the United Kingdom.

With its strong emphasis on innovative Scandinavian design, Ergolet offers the health care market a complete range of lifting and transfer solutions for patients, carers and institutions. Ergolet seeks to broaden this product programme with a complementary line of assistive technical aids from select partners who, like Ergolet, demonstrate their dedication to quality, safety, functionality and innovative design.

At Ergolet we operate under the highest values:

Earning your **trust**

Maintaining a commitment to **safety**

Dedicating ourselves to **quality**

Discovering **innovative** solutions on behalf of our customers

Leading in the **design** of functional mobility solutions

true to our Scandinavian roots



## Head office

Ergolet  
Taarnborgvej 12C  
4220 Korsoer  
Denmark

[www.ergolet.com](http://www.ergolet.com)  
[info@ergolet.dk](mailto:info@ergolet.dk)  
+45 70 27 37 20

## United Kingdom

Ergolet  
The Courtyard  
Wellington Road North  
Stockport  
Cheshire SK4 1HT

[www.ergolet.com](http://www.ergolet.com)  
[info@ergolet.co.uk](mailto:info@ergolet.co.uk)  
0161 477 7900